



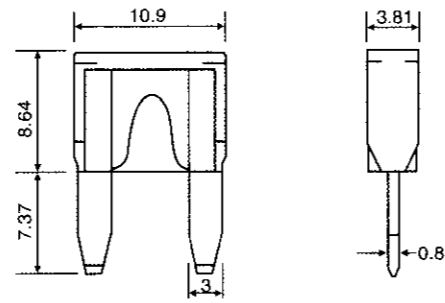
特/瑞/电/器 品/质/天/下

TERUI

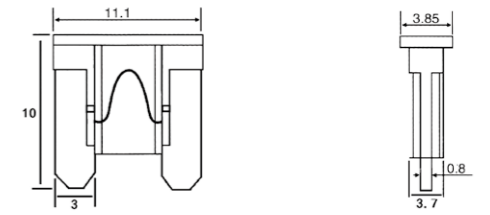
常州市特瑞电器有限公司

CHANGZHOU TERUI ELECTRONIC CO.,LTD.

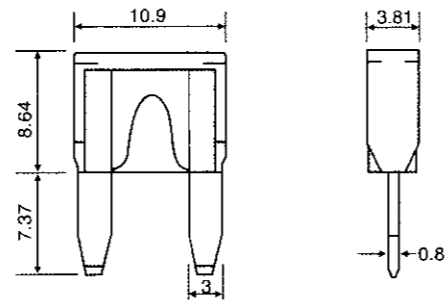
www.teruifuse.com



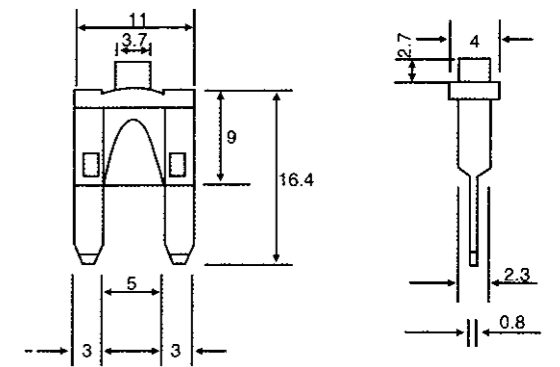
T101
迷你保险丝
Mini Fuse



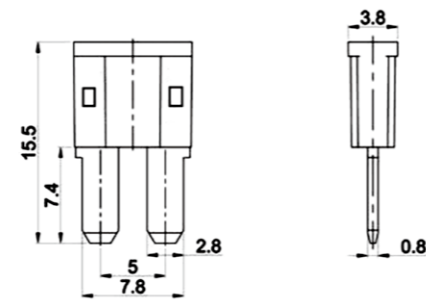
T102
超迷你保险丝
Super Mini Fuse



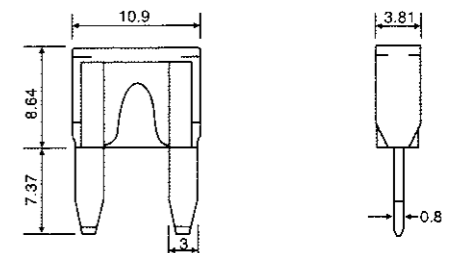
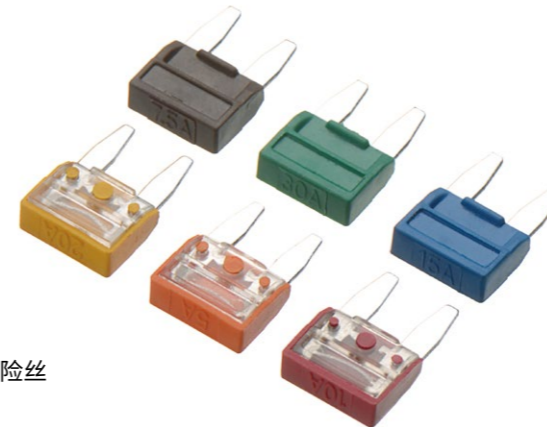
T101-1
迷你印字保险丝
Mini Fuse (White Amp Word)



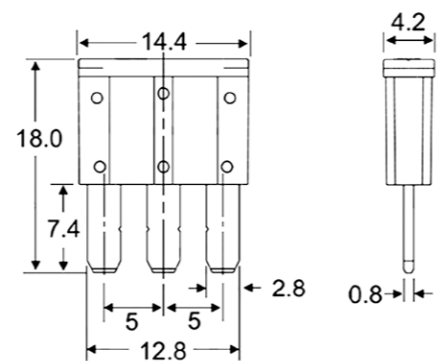
T103
带灯迷你保险丝
Mini Fuse With Lamp



T101-2
长脚迷你保险丝
Micro 2 Fuse



T104
迷你两片保险丝
Mini Fuse



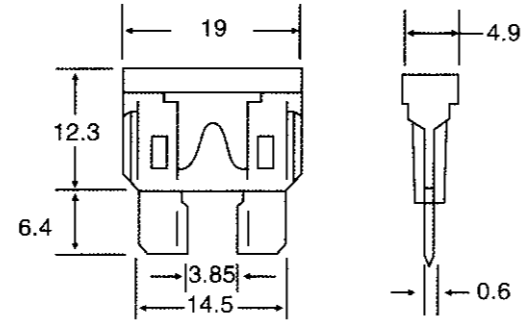
T101-3
三脚迷你保险丝
Micro 3 Fuse

电气特性 Electrical Characteristics

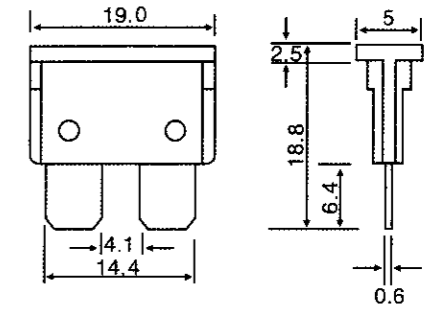
额定 RATING	熔断时间	BLOWING TIME
110%	>4 小时	4 hours Min
135%	0.75~1800 秒	0.75 to 1800s
200%	0.15~5 秒	0.15 to 5s
350%	8 毫秒 ~300 毫秒	80ms to 300ms

定货须知 Characterist

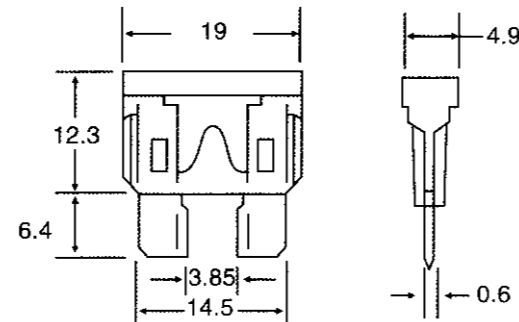
额定电流 (A) Ampere Rating	颜色标准 Color	额定电流 (A) Ampere Rating	颜色标准 Color
2	grey 灰色	15	blue 蓝色
3	violet 紫罗兰色	20	yellow 黄色
4	pink 粉红色	25	natural 自然色
5	orange 桔黄色	30	green 绿色
7.5	brown 咖啡色	35	purple 紫色
10	red 红色	40	dark brown 深褐色



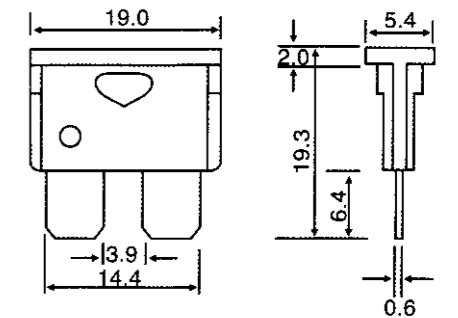
T105
中型保险丝
Medium Fuse



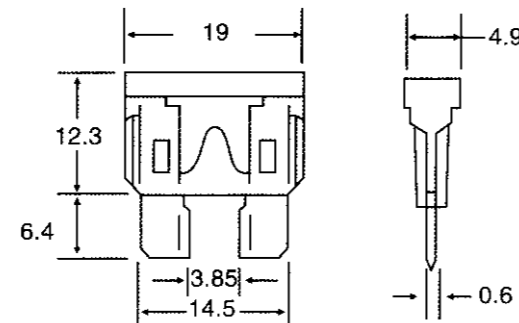
T107
中型后插保险丝
Medium Fuse



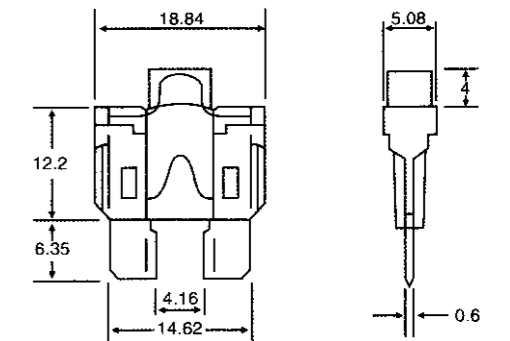
T105-1
中型印字保险丝
Medium Fuse (With White Amp Word)



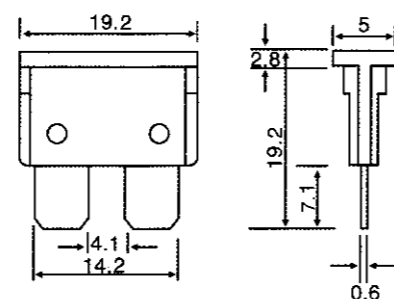
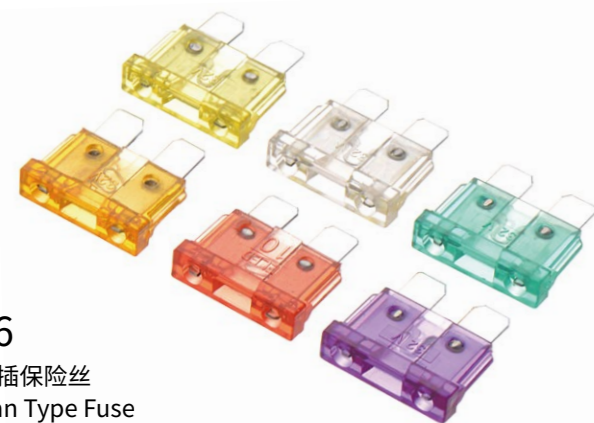
T108
中型两片保险丝
Medium Fuse



T105-2
中型电镀印字保险丝
Medium Fuse (Tin Plating+White Amp Word)



T109
中型带灯保险丝
Medium Fuse With Lamp



T106
透明后插保险丝
Pakistan Type Fuse

电气特性 Electrical Characteristics

额定 RATING	熔断时间	BLOWING TIME
110%	>4 小时	4 hours Min
135%	0.75~1800 秒	0.75 to 1800s
200%	0.15~5 秒	0.15 to 5s
350%	8 毫秒 ~300 毫秒	80ms to 300ms

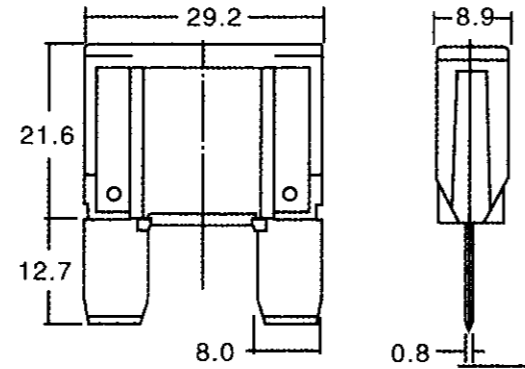
定货须知 Characterist

额定电流 (A) Ampere Rating	颜色标准 Color	额定电流 (A) Ampere Rating	颜色标准 Color
2	grey 灰色	15	blue 蓝色
3	violet 紫罗兰色	20	yellow 黄色
4	pink 粉红色	25	natural 自然色
5	orange 桔黄色	30	green 绿色
7.5	brown 咖啡色	35	purple 紫色
10	red 红色	40	dark brown 深褐色

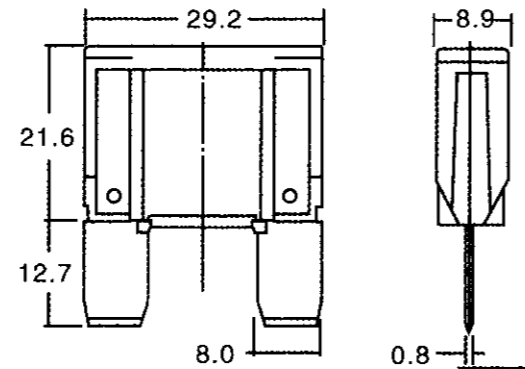
大型插片式保险丝 Maxi Auto Plug-In Sheet Fuses



T114
大型保险丝
Maxi Fuse



T116
大型保险丝
Maxi Fuse



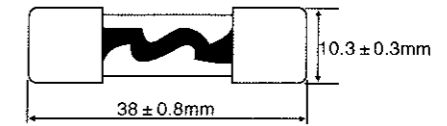
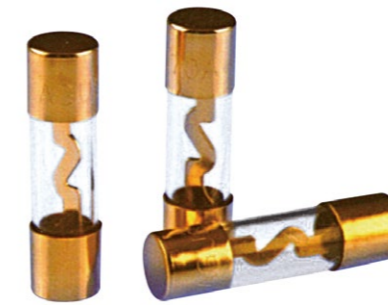
定货须知 Characterist		
额定电流 (A) Ampere Rating	颜色标准 Color	
20	yellow	黄色
30	Green	绿色
35	brown	咖啡色
40	orange	桔色
50	red	红色
60	blue	蓝色
70	tan	茶色
80	natural	自然色
90	purple	紫色
100	violet	紫罗兰色
120	purple	紫色

电气特性 Electrical Characteristics

额定 RATING	熔断时间	BLOWING TIME
110%	>4 小时	4 hours Min
135%	0.75~1800 秒	0.75 to 1800s
200%	0.15~5 秒	0.15 to 5s
350%	80 毫秒 ~300 毫秒	80ms to 300ms

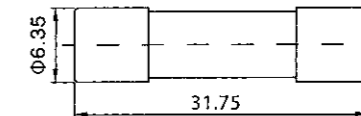
玻璃管保险丝 Auto Glass Tube Fuses

T129
镀金玻璃管保险丝
AGU Fuse



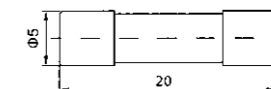
额定电流 (A) Ampere Rating	
20	60
30	70
40	80
50	100

T130
6X30mm 铜丝玻璃管保险
6X30mm Glass Fuse



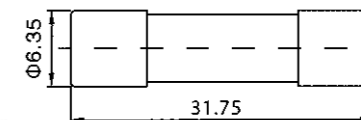
额定电流 (A) Ampere Rating	
5	25
10	30
15	35
20	40

T131
5X20mm 铜丝玻璃管保险丝
5X20mm Glass Fuse

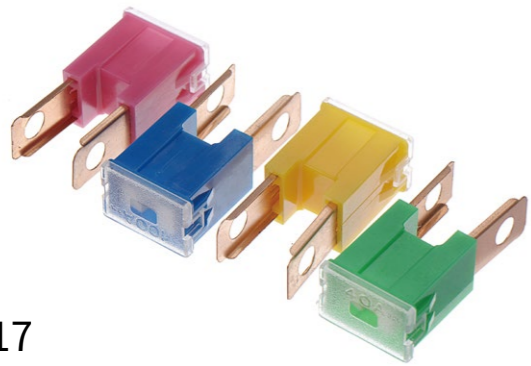


额定电流 (A) Ampere Rating	
1	4
1.25	5
1.5	6
1.6	6.3
2	7
2.5	8
3	10
3.15	12
3.5	15

T132
6X30mm 锌片玻璃管保险丝
6X30mm Glass Fuse



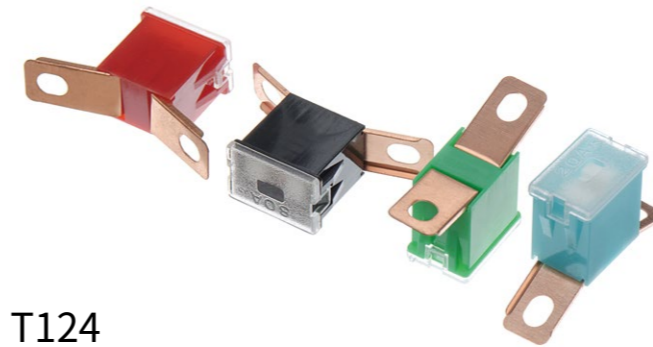
额定电流 (A) Ampere Rating	
5	25
10	30
15	35
20	40



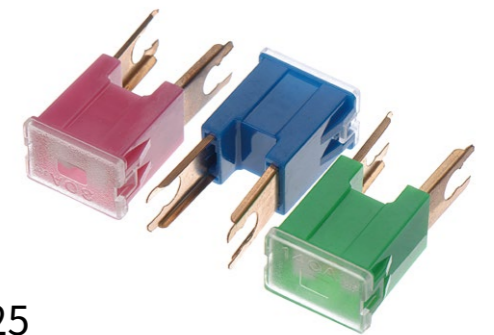
T117



T118



T124



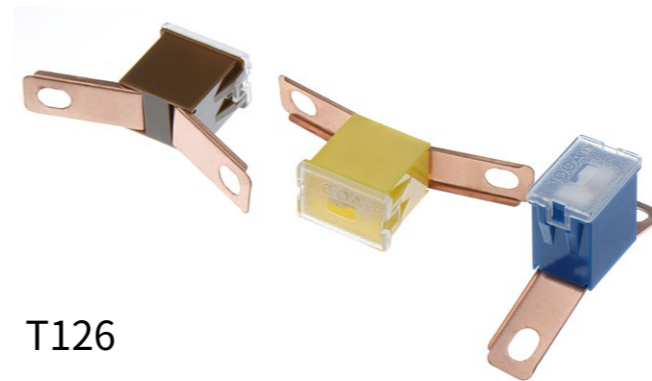
T125



T119



T120



T126



T127



T120-1



T121



T120-2



T122



T123

电气特性
Electrical Characteristics

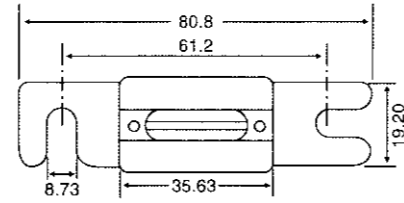
额定 RATING	熔断时间	BLOWING TIME
110%	>4 小时	4 hours Min
200%	0.15~5 秒	0.15 to 5s
350%	8 毫秒 ~300 毫秒	80ms to 300ms

定货须知
Characterist

额定电流 (A) Ampere Rating	颜色标准 Color	
20	Light Blue	淡蓝色
30	pink	粉红色
40	green	绿色
50	red	红色
60	yellow	黄色
70	brown	咖啡色
80	black	黑色
100	Blue	蓝色



T133



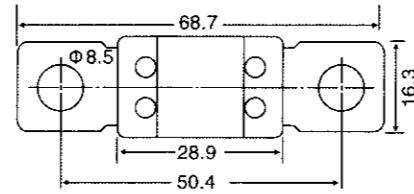
T135-2



T135-3



T134



电气特性
Electrical Characteristics

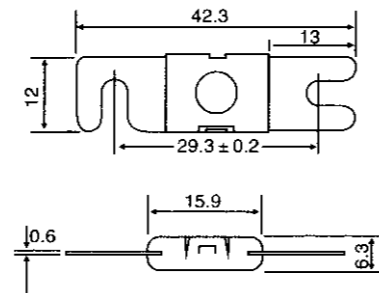
额定 RATING	熔断时间	BLOWING TIME
110%	>4 小时	4 hours Min
200%	0.15~5 秒	0.15 to 5s
350%	8 毫秒 ~300 毫秒	80ms to 300ms

定货须知
Characterist

额定电流 (A) Ampere Rating	
20	80
30	100
40	150
50	200
60	250



T135



保险丝工具
Fuse Tolling



T110



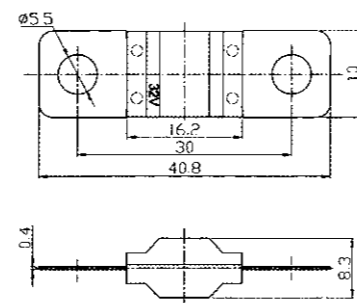
T111



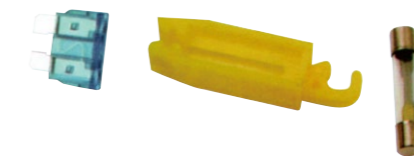
T112



T135-1



T113

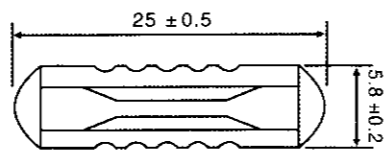


T113-1

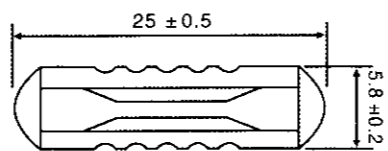


T115

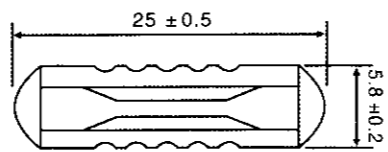
T136-1



T136-2



T136-3



No.01



No.02



No.03



No.04



No.05



No.06



No.07



No.08



No.09

电气特性 Electrical Characteristics

额定 RATING	熔断时间	BLOWING TIME
110%	>4 小时	4 hours Min
135%	0.75~1800 秒	0.75 to 1800s
200%	0.15~5 秒	0.15 to 5s
350%	8 毫秒 ~300 毫秒	80ms to 300ms

定货须知 Characterist

额定电流 (A) Ampere Rating	颜色标准 Color		型号 Model No.	材料 Material
5	yellow	黄色	T136-1	zinc+plastic
8	white	白色	T136-2	copper+plastic
16	red	红色	T136-3	copper+ceramic
20	blue	蓝色		
25	black	黑色		
30	green	绿色		



No.10



No.11



No.12



No.13



No.14



No.15



No.25



No.26



No.27



No.16



No.17



No.18



No.28



No.29



No.30



No.19



No.20



No.21



No.31



No.32



No.33



No.22



No.23



No.24



No.34



No.35



No.36



No.37



No.38



No.39



No.101



No.102



No.103



No.40



No.41



No.42



No.104



No.105



No.106



No.43



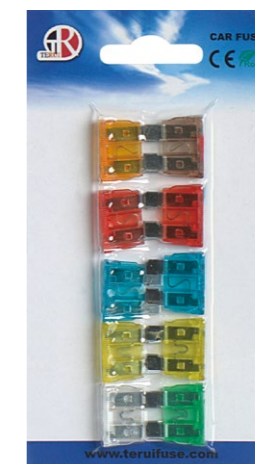
No.44



No.45



No.107



No.108



No.109



No.46



No.47



No.48



No.110



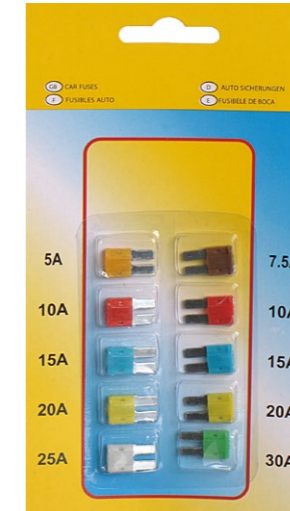
No.111



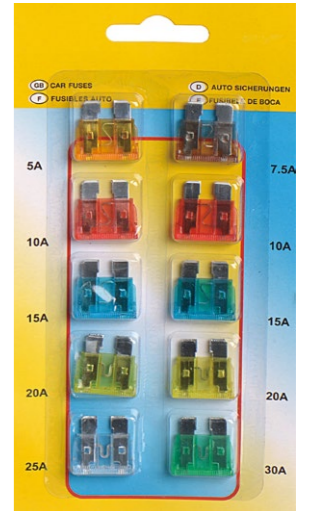
No.112



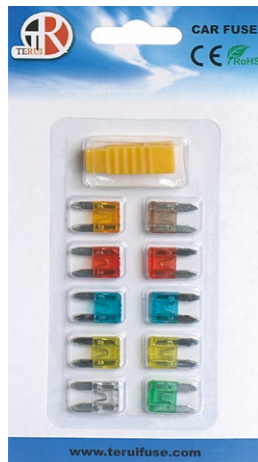
No.119



No.120



No.121



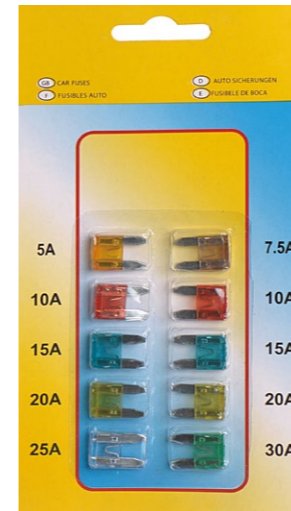
No.113



No.114



No.115



No.122



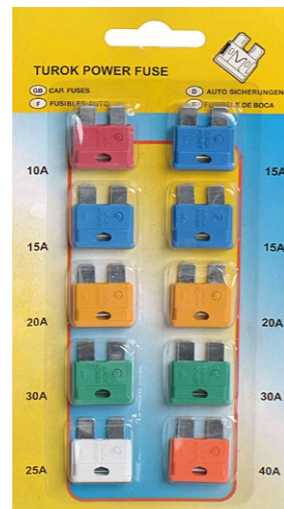
No.123



No.124



No.116



No.117



No.118



No.125



No.126



No.127



No.128



No.129



No.130



No.137



No.138



No.139



No.131



No.132



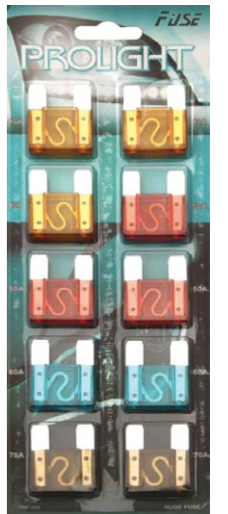
No.133



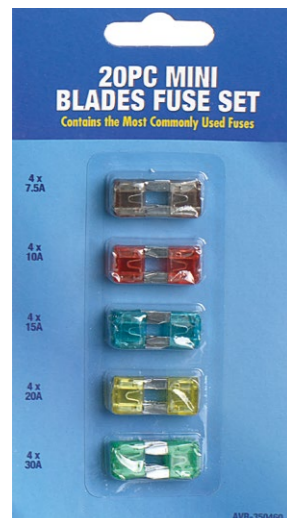
No.140



No.141



No.142



No.134



No.135



No.136



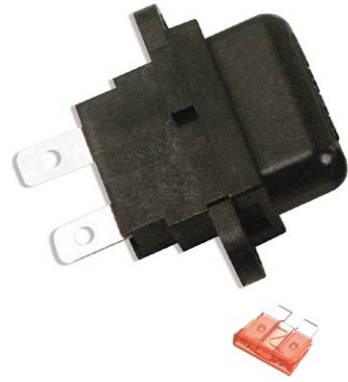
No.143



No.144



No.145



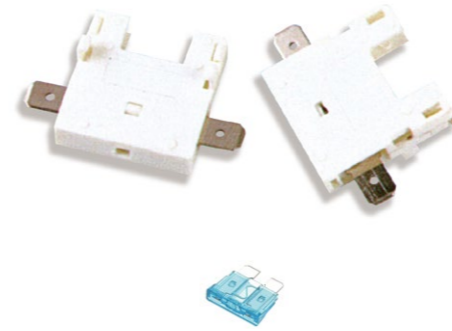
T139
Material: Nylon,Copper
Suitable fuse:Medium auto plug-in sheet fuse



T145
Material: PVC, Nickel(Silver)-plating brass
Suitable fuse:Mini auto plug-in sheet fuse



T146
Material: Nylon, Brass
Suitable fuse:Medium auto plug-in sheet fuse



T152
Material: Nylon-66,Nickel(silver)-plating brass
Suitable fuse: Medium auto plug-in sheet fuse



T155
Material: Plastic, Nickel(Silver)-plating brass
Suitable fuse:φ6.35x30mm, φ5.2x20mm



T157
Material: Bakelite, Nickel(Silver)-plating brass
Suitable fuse:φ6.35x30mm



T147
Material: PVC, Nickel(Silver)-plating brass
Suitable fuse:Medium auto plug-in sheet fuse



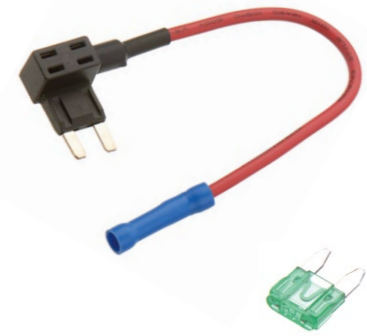
T147-1
Material: PVC, Nickel(Silver)-plating brass
Suitable fuse:Medium auto plug-in sheet fuse



T147-2
Material:PVC,Nickel(Silver)-plating brass
Suitable fuse:Medium auto plug-in sheet fuse



T158
Material: Nylon+tin-plating brass , UL1015 16AWG
Suitable fuse: micro auto plug-in sheet fuse



T159
Material: Nylon+tin-plating brass , UL1015 16AWG
Suitable fuse: mini auto plug-in sheet fuse



T160
Material: Nylon+tin-plating brass , UL1015 16AWG
Suitable fuse: medium auto plug-in sheet fuse



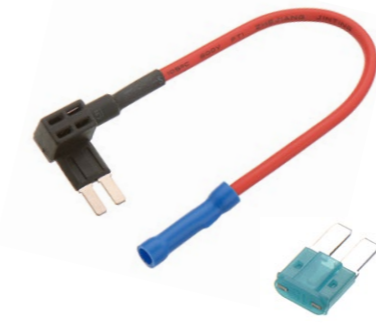
T148
Material: Bakelite, Nickel(Silver)-plating brass
Suitable fuse:Medium auto plug-in sheet fuse



T150
Material: PVC, Nickel(Silver)-plating brass
Suitable fuse:Max auto plug-in sheet fuse



T150-1
Material: PVC, Nickel(Silver)-plating brass
Suitable fuse:Max auto plug-in sheet fuse



T161
Material: Nylon+tin-plating brass , UL1015 16AWG
Suitable fuse: micro-2 auto plug-in sheet fuse



T162
Material: Nylon+tin-plating brass , UL1015 16AWG
Suitable fuse: micro-3 auto plug-in sheet fuse



T201



T202



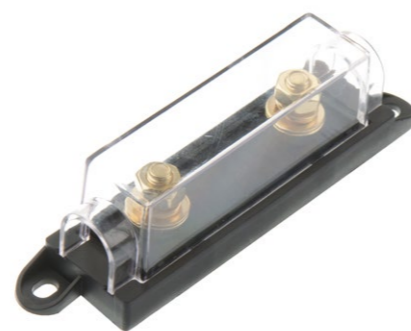
T203



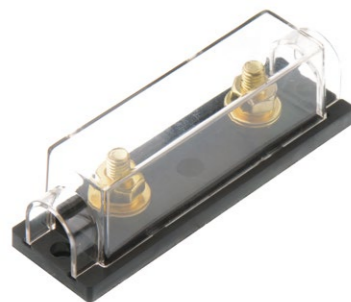
T204



T205



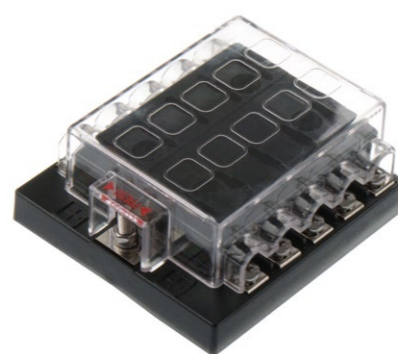
T206



T207



T208



T209



汽车保险丝

汽车保险丝是一类用于保护汽车线路和电气设备的保险丝，它们的额定电压一般不超过 32 伏直流。汽车保险丝通常装在车辆内的一个或多个保险丝盒（也叫集成电源模块（IPM））中，通常在发动机舱的一侧和 / 或靠近方向盘的仪表盘下。

电路通过电线和开关连接到各种设备上，这些设备从电源中接受电力。保险丝与电流上游的电路串联安装，当遇到下游短路导致的过流时，被设计用来立即中断电路。因此，它们是保护电路中的线路和设备免受火灾等损害的关键部件。当遇到过电流时，保险丝的金属元件（其特点是横截面积小）达到其熔点，随后熔断。这就有效地中断了（保护了）电路。

特瑞电器使用高质量的塑料和高速精密冲床来制造保险丝，确保保险丝的耐高温性和精确的熔断电流。

AUTO FUSE

Automotive fuses are a class of fuses used to protect automotive wiring and electrical equipment, and they are generally rated at no more than 32 volts DC. Automotive fuses are typically housed in one or more fuse boxes (also called integrated power modules (IPMs)) within the vehicle, usually on the side of the engine compartment and/or under the dash near the steering wheel.

Circuits are connected to various devices by wires and switches that receive power from the power source. Fuses are installed in series with the circuit upstream of the current and are designed to interrupt the circuit immediately when an overcurrent due to a downstream short circuit is encountered. As such, they are a key component in protecting wiring and equipment in a circuit from damage such as fire. When an overcurrent is encountered, the metal element of the fuse (which is characterized by its small cross-sectional area) reaches its melting point and subsequently blows. This effectively interrupts (protects) the circuit.

Teruifuse uses high-quality plastics and high-speed precise punching machines to manufacture fuses and ensure fuses' high-temperature resistance and accurate fusing current.





特/瑞/电/器 品/质/天/下

TERUI

地址：江苏省常州市牛塘镇

电话：0519-86396960

传真：0519-86399690

邮编：213163

QQ：188365832

E-mail: jishu163@163.com

Http:// www.teruifuse.com